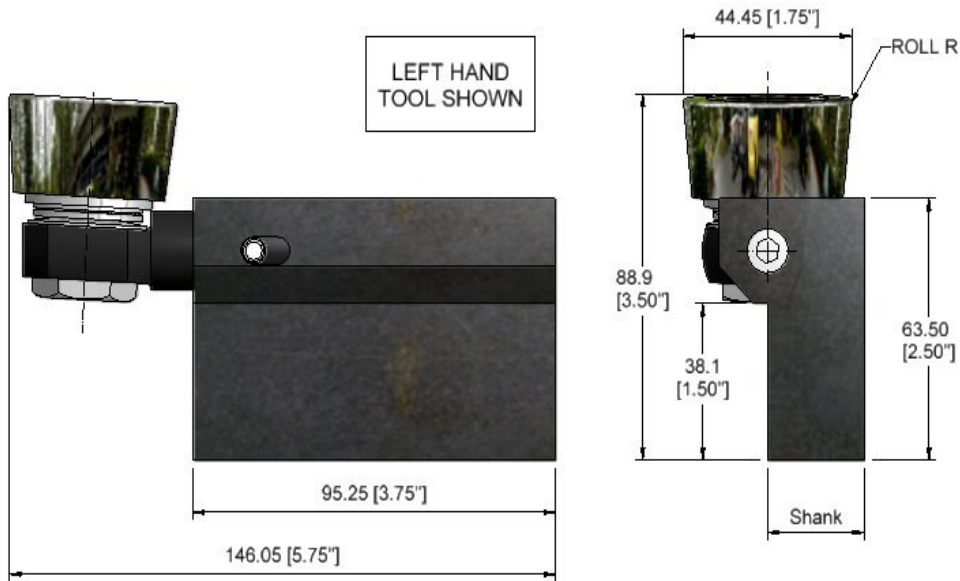
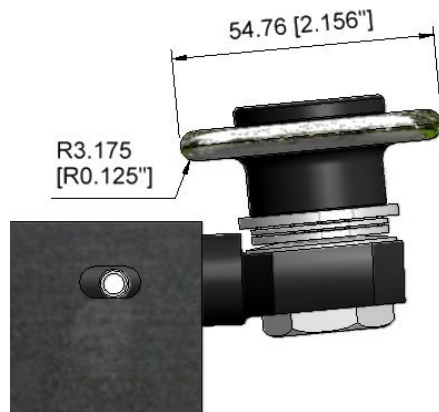


“Outside Surface” Standard tool dimensions



Tool Number	Shank - square size	Right / Left hand shank	Roll Radius
S2075-00	1"	Left Hand	R0.787mm (R0.031")
S2075-00M	25mm	Left Hand	
S2121-00	1"	Right Hand	R1.57mm (R0.062")
S2121-00M	25mm	Right Hand	
S2548-00	1"	Left Hand	R2.36mm (R0.093")
S2548-00M	25mm	Left Hand	
S2549-00	1"	Right Hand	R0.787mm (R0.031")
S2549-00M	25mm	Right Hand	
S2327-00	1"	Right Hand	R2.36mm (R0.093")
S2327-00M	25mm	Right Hand	
S2233-00	1"	Left Hand	R0.787mm (R0.031")
S2233-00M	25mm	Left Hand	
S2302-00	3/4"	Left Hand	R2.36mm (R0.093")
S2306-00	3/4"	Right Hand	
S2427-00	3/4"	Left Hand	R0.787mm (R0.031")
S2488-00	3/4"	Right Hand	
S2313-00	1-1/4"	Left Hand	R0.787mm (R0.031")
S2384-00	1-1/4"	Right Hand	

“5900” series tool
with full form
radius roll to suit
spherical forms



Tool Number	Shank - square size	Right / Left hand shank	Roll Radius
5900-100-80477	1"	Left Hand	R3.175mm (R0.125")
5900-100-80477M	25mm	Left Hand	
5900-100-80558	1"	Right Hand	Full form radius roll
5900-100-80558M	25mm	Right Hand	